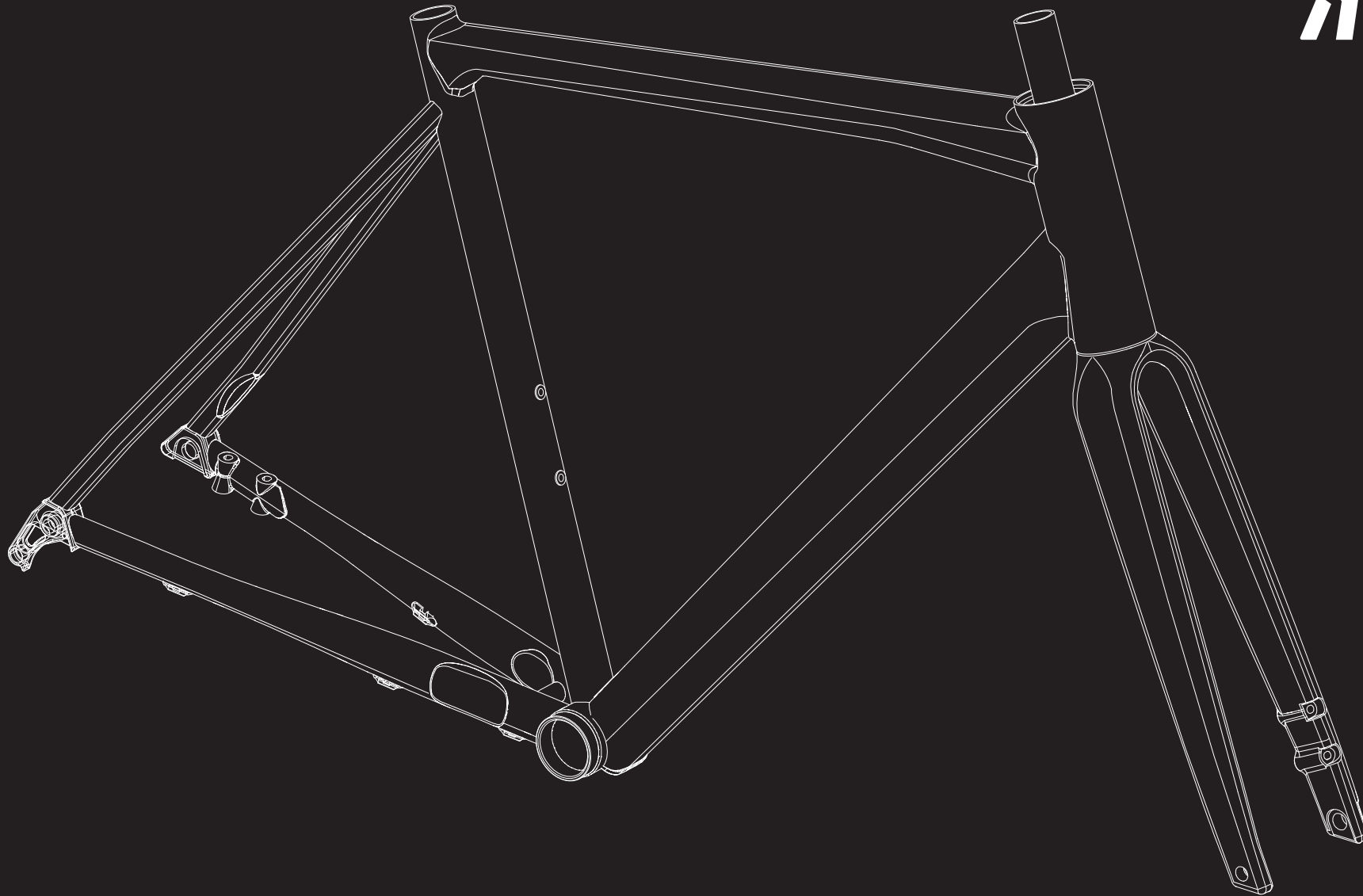


**ROSE**



**ANY QUESTIONS?**

[technik@rosebikes.com](mailto:technik@rosebikes.com)

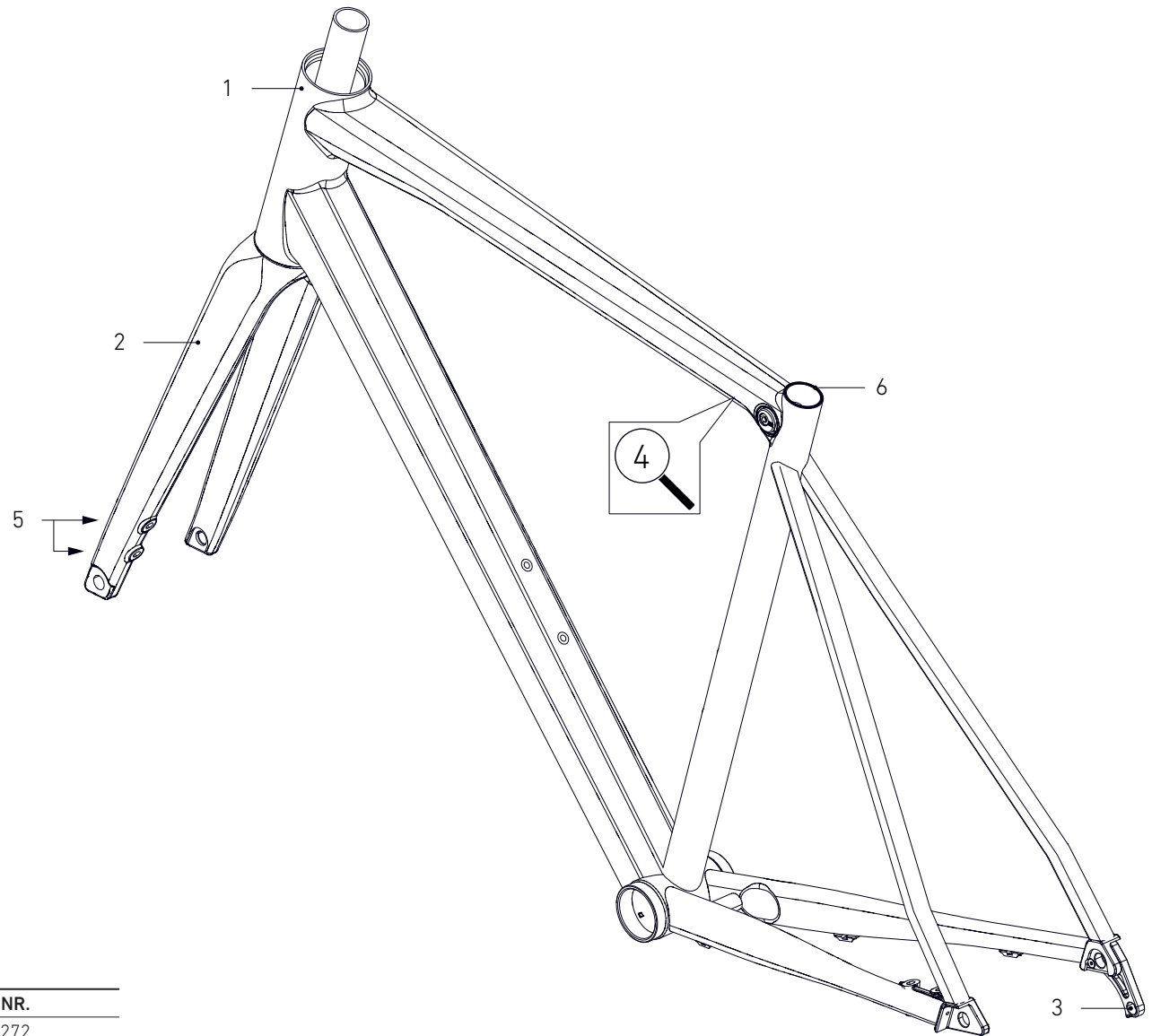
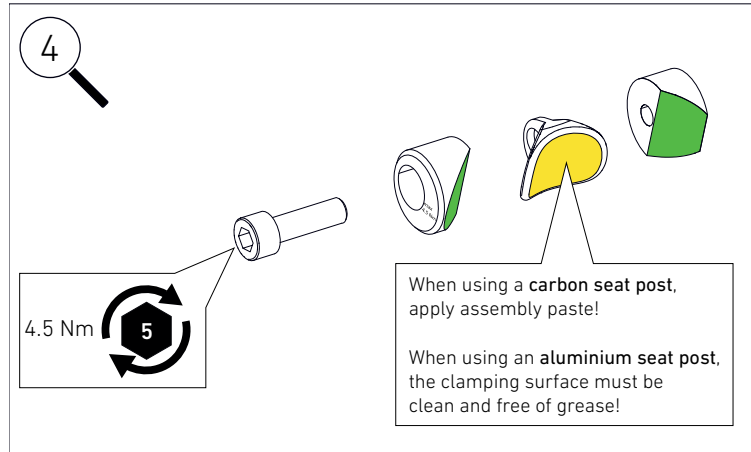
ROSE Bikes GmbH  
Schersweide 4  
46395 Bocholt, Germany

**PRO<sup>SL</sup>**

DISC BRAKE  
**FRAME DETAILS**

# PRO SL

## DISC BRAKE FRAME DETAILS



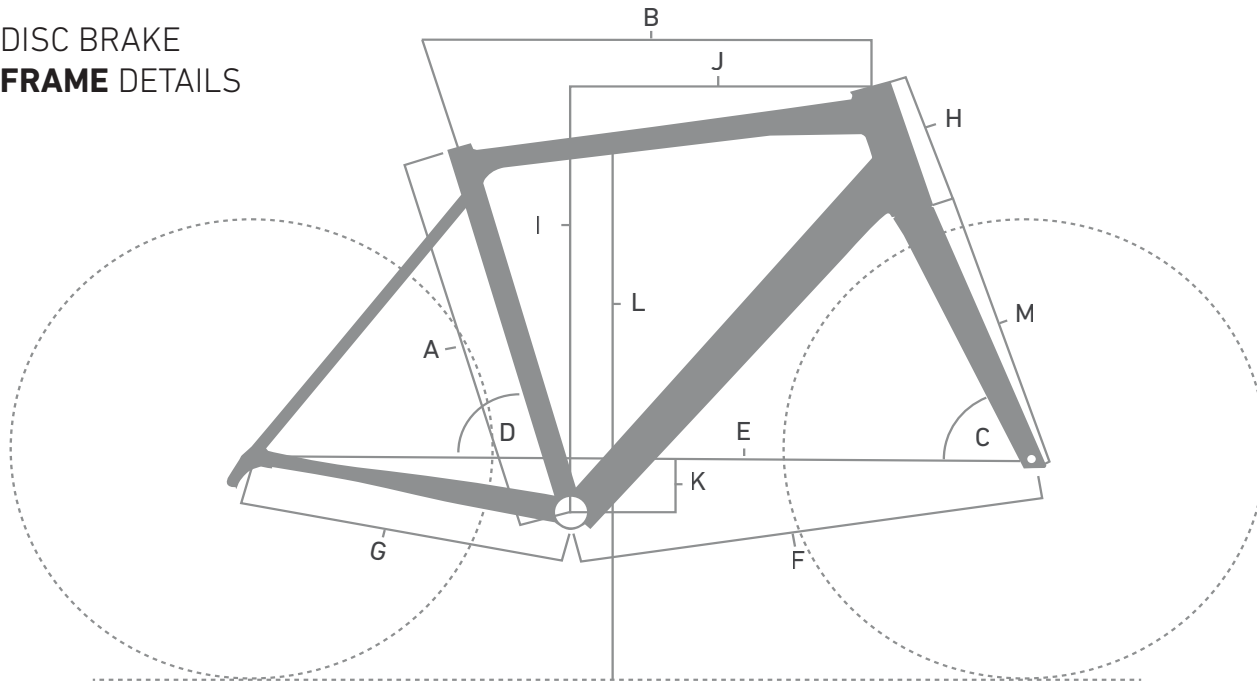
## FRAME SPARE PARTS

| POS. | DESCRIPTION       | SPECIFICATIONS                     | ART. NR. |
|------|-------------------|------------------------------------|----------|
| 1    | frame             | color: red                         | 2291272  |
|      |                   | color: grey                        | 2291273  |
| 2    | fork              | color: red, size: 650B             | 2292864  |
|      |                   | color: red, size: 28"              | 2291278  |
|      |                   | color: grey, size: 650B            | 2292865  |
|      |                   | color: grey, size: 28"             | 2291279  |
| 3    | derailleur hanger | direct mount                       | 2297413  |
|      |                   | standard                           | 2297412  |
| 4    | seatpost clamp    | 3 pieces + fixing screw M6 x 20 mm | 2312064  |
| 5    | rubber plug       | screw head cover brake mount       | 2274682  |
| 6    | rubber ring       | dirt seal seat tube                | 2256912  |

|                       |  |          |
|-----------------------|--|----------|
| GREASE                | DYNAMIC GALLI BEARING 100 g            | 49217800 |
|                       | DYNAMIC GALLI BEARING 400 g            | 49217900 |
| CARBON ASSEMBLY PASTE | for example DYNAMIC, Art. Nr. 25377201 |          |

# PRO SL

## DISC BRAKE FRAME DETAILS



## FRAME INTERFACES

|                            |   |
|----------------------------|---|
| <b>BOTTOM BRACKET</b>      | Shimano: SM-BB72-41B Pressfit   |
| <b>HEADSET</b>             | ACROS, Art. Nr. 2292463   |
| <b>FRONT WHEEL AXLE</b>    | length: 121 mm, M12 x 1.5<br>e.g. DT Swiss Plug in E-Thru Road , Art. Nr. 227585701                       |
| <b>REAR WHEEL AXLE</b>     | length: 163 mm, M12 x 1.5, thread length: 13 mm<br>e.g. DT Swiss Plug in E-Thru Road , Art. Nr. 227469001 |
| <b>FRONT HUB SPACING</b>   | 100 x 12 mm   |
| <b>REAR HUB SPACING</b>    | 142 x 12 mm   |
| <b>Ø SEATPOST</b>          | 27.2 mm   |
| <b>MAX. TIRE SIZE</b>      | 32 mm   |
| <b>MAX. CHAINRING SIZE</b> | 50 / 34   |
| <b>BOTTLE CAGE</b>         | yes, 2x   |

**MAX SYSTEM WEIGHT (RIDER + BICYCLE + CLOTHING + GEAR + LUGGAGE): 110 KG**

## FRAME GEOMETRY

| SIZE                                |   | 45  | 48  | 51    | 53     | 55    | 57     | 59     | 61     | 63     | 65     |
|-------------------------------------|---|-----|-----|-------|--------|-------|--------|--------|--------|--------|--------|
| SEATTUBE LENGTH [MM]                | A | 420 | 445 | 475   | 495    | 505   | 515    | 535    | 560    | 580    | 605    |
| TOPTUBE LENGTH HORIZONTAL [MM]      | B | 497 | 508 | 521   | 533    | 545   | 558    | 572    | 588    | 606    | 626    |
| HEAD TUBE ANGLE                     | C | 71° |     | 71.5° | 72°    |       | 72.5°  | 72.75° | 73°    | 73.25° | 73.5°  |
| SEAT TUBE ANGLE                     | D | 75° |     | 74.5° | 74.25° | 74°   | 73.75° | 73.5°  | 73.25° | 73°    | 72.75° |
| WHEELBASE [MM]                      | E | 963 | 975 | 973   | 980.5  | 993.5 | 999.5  | 1010   | 1026   | 1038   | 1058   |
| FRONT CENTER [MM]                   | F | 566 | 578 | 580.5 | 586    | 595.5 | 601.5  | 611    | 621.5  | 634    | 647.5  |
| REAR CENTER [MM] (CHAINSTAY LENGTH) | G | 404 |     | 406   |        | 409   |        | 414    |        | 420    |        |
| HEADTUBE LENGTH [MM]                | H | 120 | 140 | 133   | 147    | 163   | 180    | 193    | 210    | 228    | 245    |
| STACK [MM]                          | I | 493 | 512 | 533   | 548    | 563   | 581    | 591.5  | 608.5  | 627    | 644    |
| REACH [MM]                          | J | 365 | 371 | 373   | 378.5  | 383.5 | 388.5  | 397    | 405    | 414.5  | 426    |
| BB DROP [MM]                        | K | 59  |     | 73    |        |       | 70     |        |        |        |        |
| STANDOVER HEIGHT [MM]               | L | 698 | 720 | 758   | 775    | 793   | 811    | 829    | 847    | 865    | 882    |