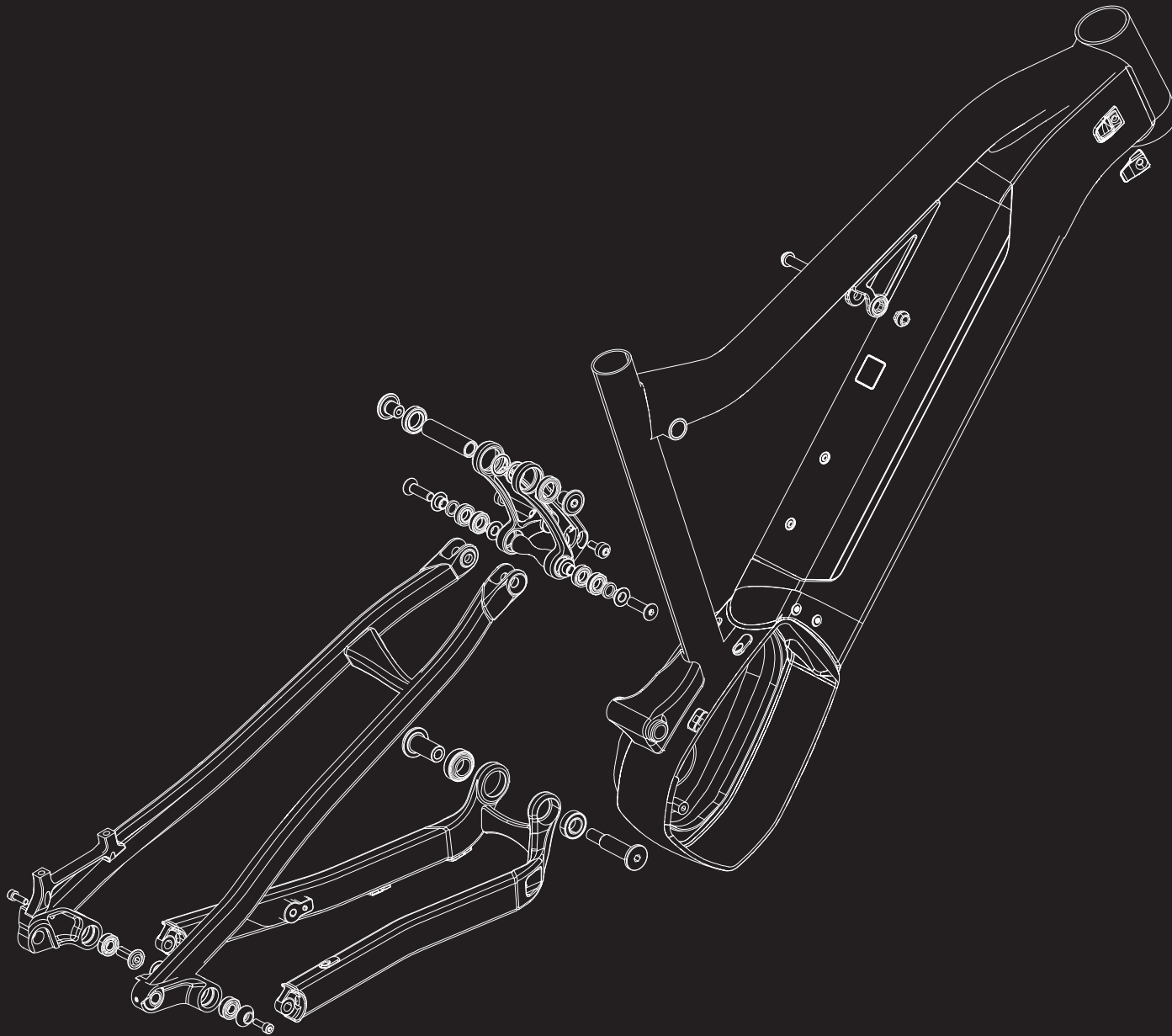


# ROSE



**ANY QUESTIONS?**

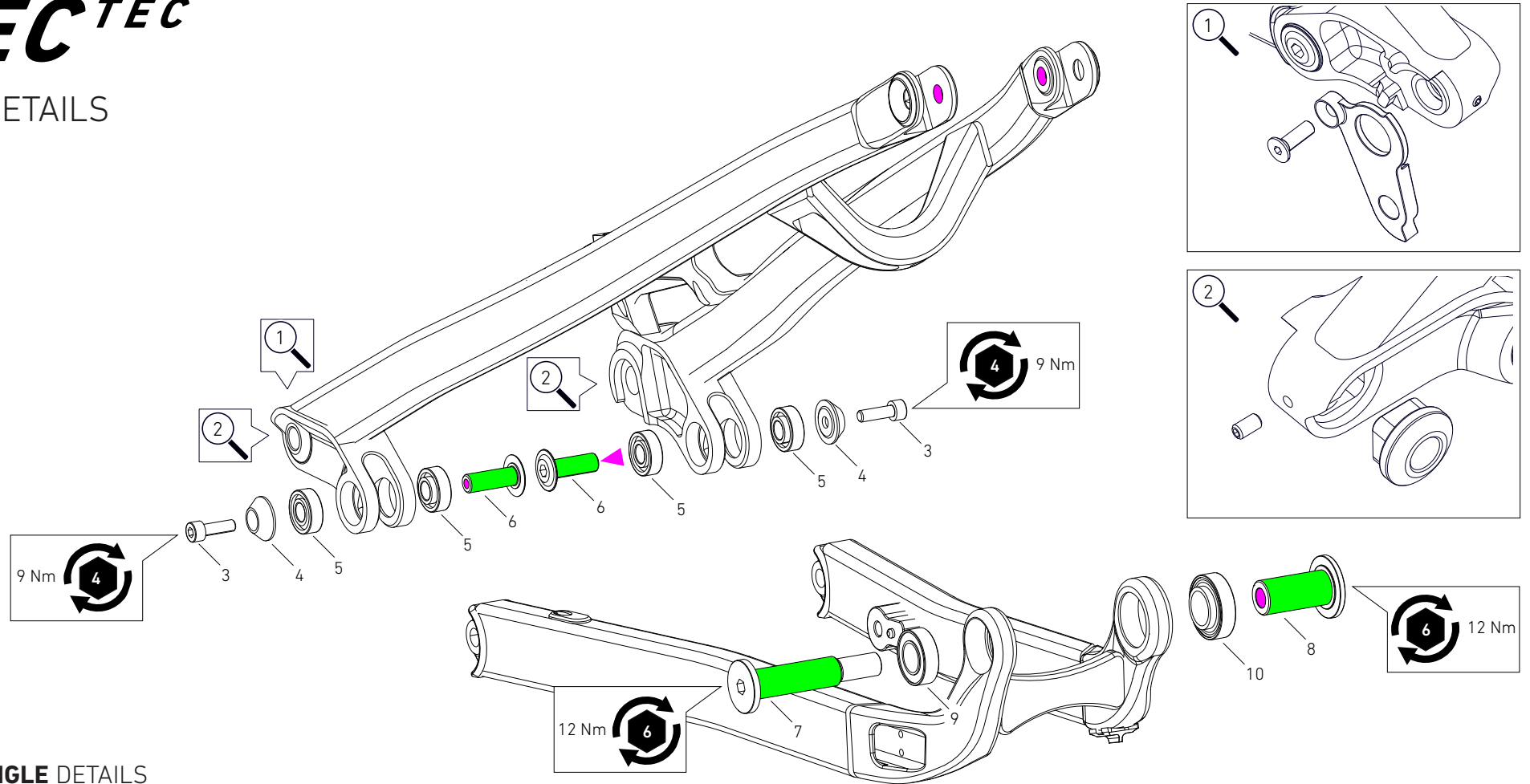
[technik@rosebikes.com](mailto:technik@rosebikes.com)

ROSE Bikes GmbH  
Schersweide 4  
46395 Bocholt, Germany

# ELEC<sup>TEC</sup>

**FRAME DETAILS**

## FRAME DETAILS



## REAR TRIANGLE DETAILS

Pos.	Description	Specifications	Art. Nr.
1	derailleur hanger	ROSE Nr. 67, incl. screw	2255304
2	dropout insert		2255305
	fixing screw		2255290
3	horst link screw	M5 x 16 mm / torque: 9 Nm / tool: 4 mm hex	2255302
4	dust cap		2255299
5	bearing horst link	619/8-2RS, 8 x 19 x 6 / 7.5 mm	2255300
6	bolt horst link	tool: 5 mm hex	2255301
7	axle main pivot male	torque: 12 Nm / tool: 6 mm hex	2255309
8	axle main pivot female	torque: 12 Nm / tool: 6 mm hex	2255308
9	bearing	37802-2RS, 12.7 x 24 x 7 / 8.5 mm	2255292
10	bearing	61902-2RS, 15 x 28 x 7 / 10 mm	2255296

 GREASE

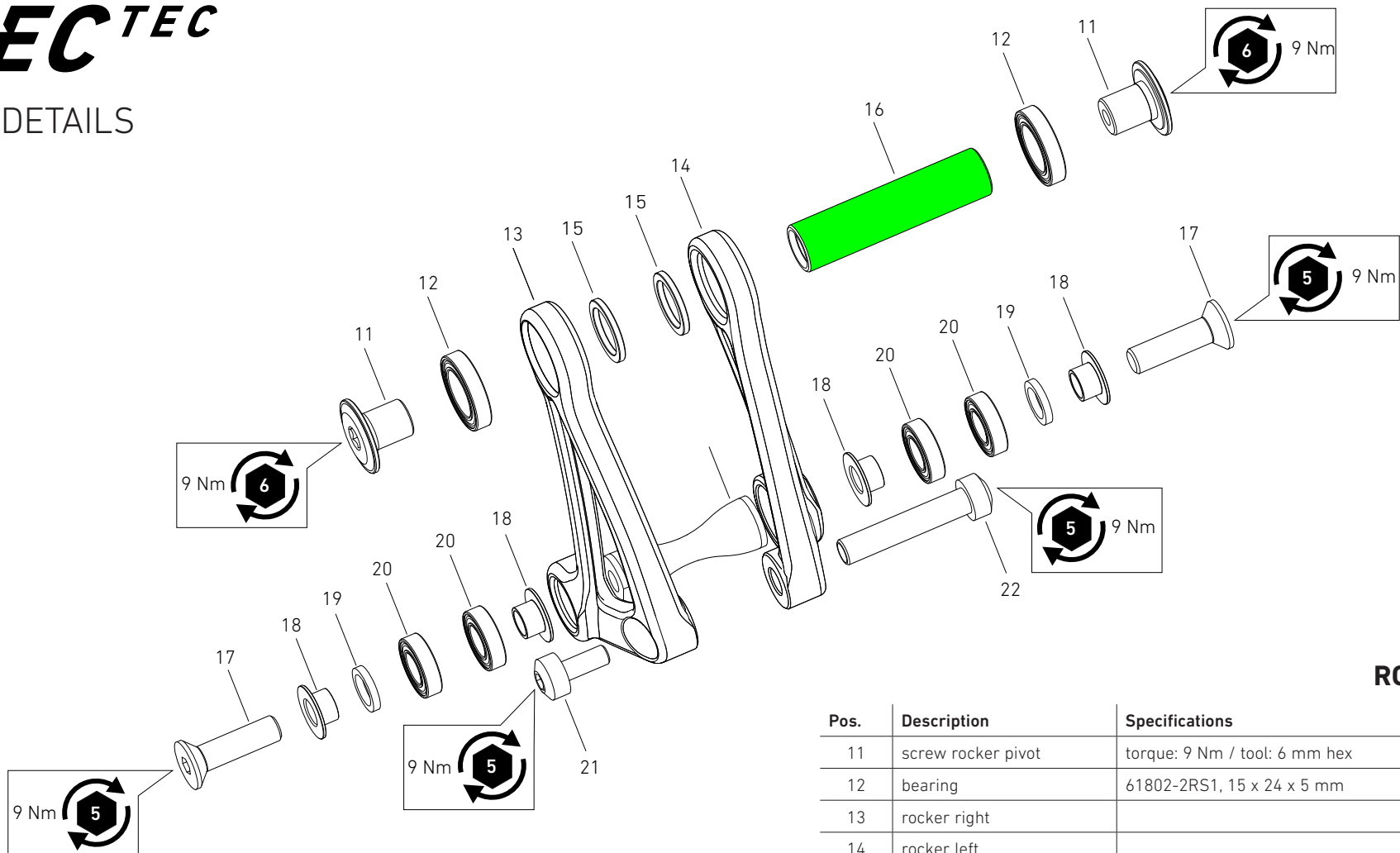
 THREADLOCKER

DYNAMIC GALLI BEARING 100 g 49217800

DYNAMIC GALLI BEARING 400 g 49217900

mid strength, for example Art. Nr. 1322431

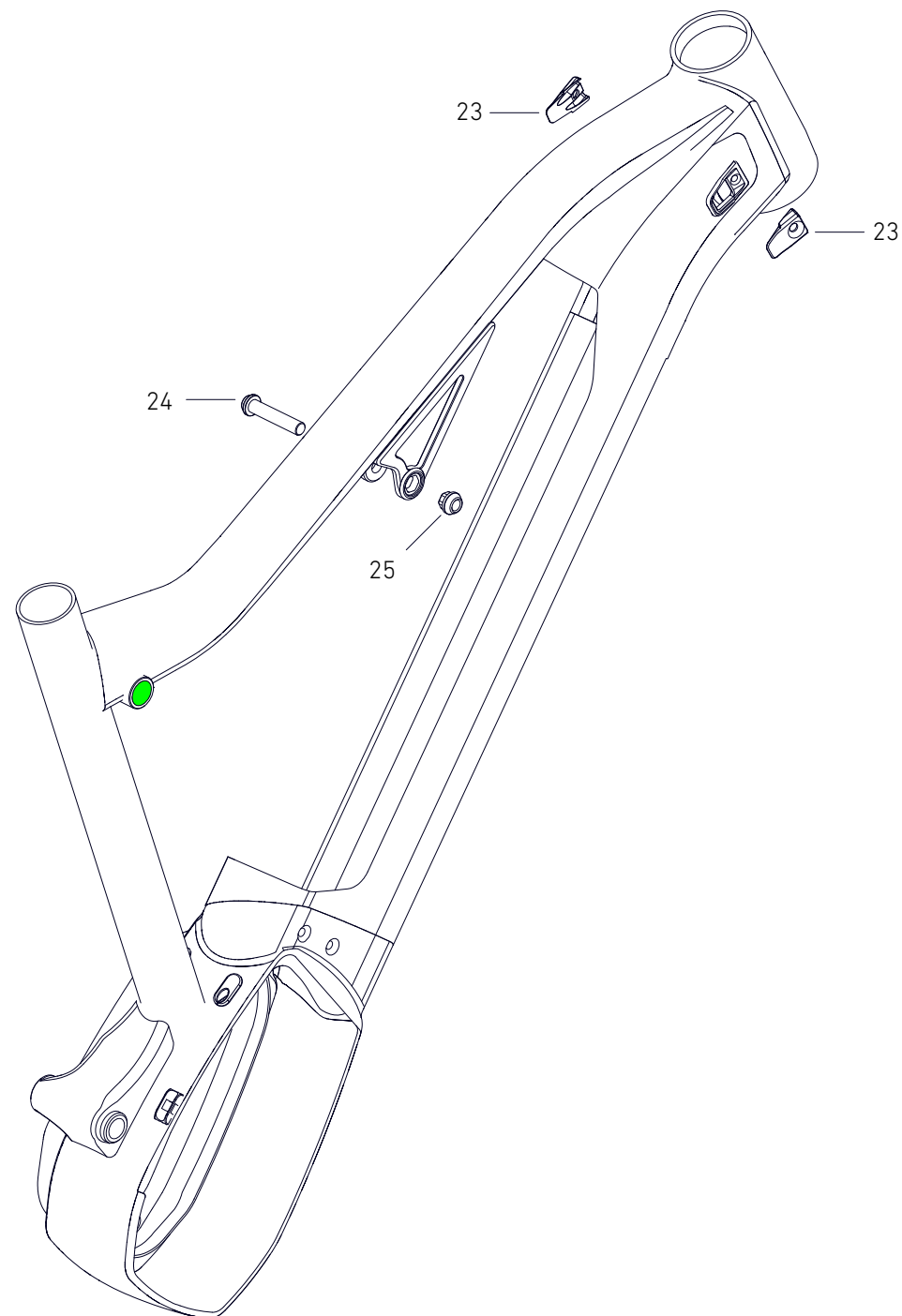
## FRAME DETAILS



## ROCKER DETAILS

Pos.	Description	Specifications	Art. Nr.
11	screw rocker pivot	torque: 9 Nm / tool: 6 mm hex	225193401
12	bearing	61802-2RS1, 15 x 24 x 5 mm	1970706
13	rocker right		2255293
14	rocker left		2255294
15	washer	15 x 20 x 2 mm	1970742
16	rocker pivot	Ø15 x 61 mm	2140339
17	screw	M8 x 30 mm / torque: 9 Nm / tool: 5 mm hex	2251951
18	bearing spacer	8 x 10 x 6.9 mm	1970681
19	bearing spacer	10 x 14 x 2 mm	2190112
20	bearing	61800-2RS1, 10 x 19 x 5 mm	1970690
21	shock screw	M6 x 15, tool: 5mm hex	1970654
22	shock bolt	torque: 9 Nm / tool: 5 mm hex	2251950
	GREASE	DYNAMIC GALLI BEARING 100 g	49217800
		DYNAMIC GALLI BEARING 400 g	49217900
	THREADLOCKER	mid strength, for example Art. Nr. 1322431	

## FRAME DETAILS

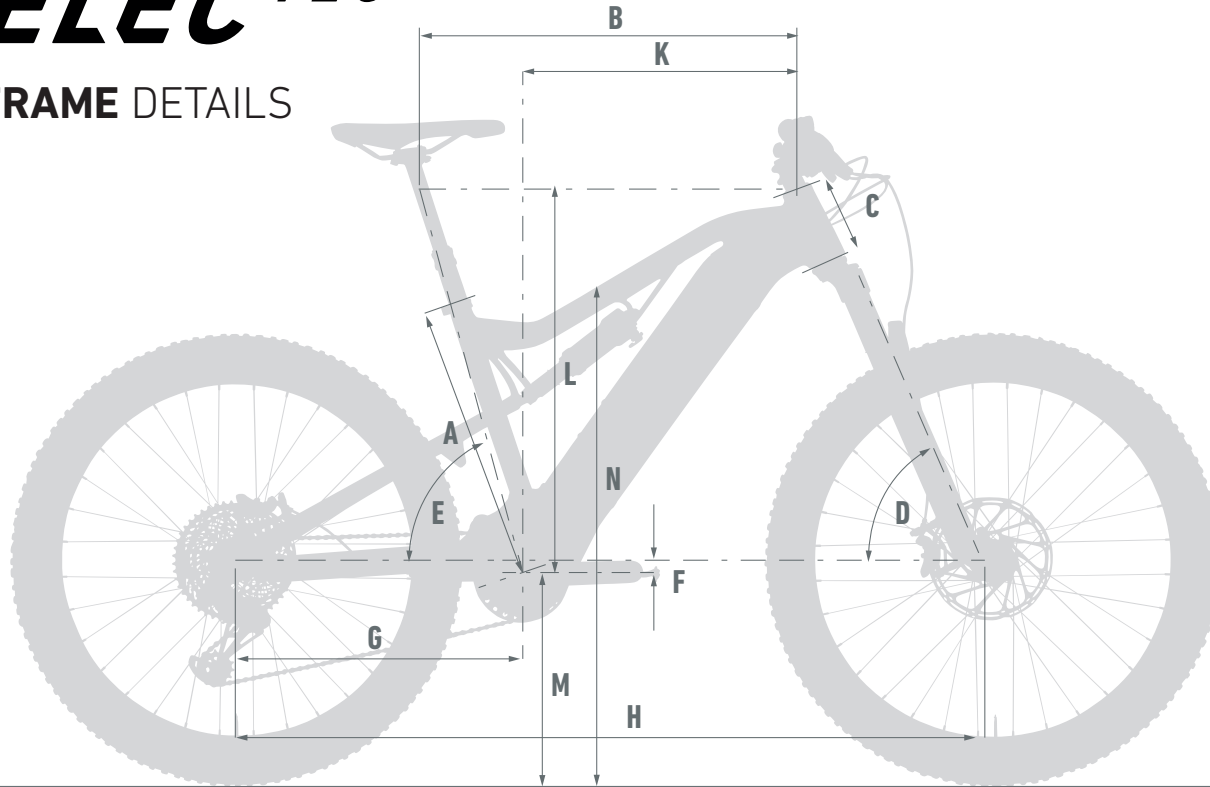


## MAIN FRAME DETAILS

Pos.	Description	Specifications	Art. Nr.
23	cable guide cover	incl. screw	225172401
24	shock bolt frame		2251948
25	screw shock bolt		2251949
	GREASE	DYNAMIC GALLI BEARING 100 g	49217800
		DYNAMIC GALLI BEARING 400 g	49217900
	THREADLOCKER	mid strength, for example Art. Nr. 1322431	

# ELEC<sup>TEC</sup>

## FRAME DETAILS



## FRAME INTERFACES

HEADSET	ZS44 / 56 Acros Block Lock Head Set Art. Nr. 2268335
REAR WHEEL AXLE	length: 180 mm, M12 x 1.75 mm thread length: 20 mm e.g. DT Swiss RWS Boost Plug In Axle Art. Nr. 2269801
SHOCK LENGTH X STROKE	210 x 55 mm
SHOCK HARDWARE	Ø8 x 25 mm / Ø8 x 30 mm
REAR BRAKE MOUNT	PM 180
MAX. Ø REAR BRAKE DISC	203 mm
Ø SEAT TUBE	31.6 mm
Ø SEAT POST CLAMP	36 mm e.g. ROSE seat post clamp Art. Nr. 226113801
MAX. TIRE WIDTH	2.8"
WHEEL SIZE	27.5"
MAX. CHAINRING SIZE	38 T
REAR HUB SPACING	Boost 12 x 148 mm

MAX SYSTEM WEIGHT (RIDER + BICYCLE + CLOTHING + GEAR + LUGGAGE): 140 KG

GEOMETRY DETAILS		SIZE S	SIZE M	SIZE L	SIZE XL
SEAT TUBE LENGTH	A	410 mm	440 mm	470 mm	500 mm
TOP TUBE LENGTH	B	587 mm	607 mm	632 mm	655 mm
HEAD TUBE LENGTH	C	115 mm		120 mm	125 mm
HEAD ANGLE	D	66.5°			
SEAT ANGLE	E	74°			
BB DROP	F	8 mm			
CHAIN STAY LENGTH	G	458 mm			
WHEEL BASE	H	1186 mm	1206 mm	1231 mm	1255 mm
REACH	K	415 mm	435 mm	458 mm	480 mm
STACK	L	601 mm		606 mm	610 mm
BB HEIGHT	M	355 mm			
STANDOVER HEIGHT	N	796 mm	800 mm	804 mm	808 mm
TRAVEL REAR		140 mm			